

Figure 25. Impeller (Heavy Duty)

Part 41 not shown

FIGURE & INDEX	PART NUMBER	DESCRIPTION
25		IMPELLER (HEAVY DUTY)
-1	305631	Bracket, Impeller Frame Mount
-2	304075	Bar, Impeller Adjustment
-3	305884	Bracket, Impeller Mount (Diesel)
	304125	Bracket, Impeller Mount
-4	304933	Belt
-5	305634	Spacer, Impeller
-6	305632	Pulley, Large
-7	305641	Belt, Impeller
-8	305603	Pulley, Small
-9	305602	Mount Assembly, Base Impeller
-10	305609	Plate, Mount Adj.
-11	305607	Spacer, Impeller Mount
-12	300474	Ring, Retainer
-13	301330	Spacer, Flat
-14	300476	Washer, Wave
-15	300468	Bearing
-16	300344	Key, 1/8 Square x .75
-17	301354	Shaft, Impeller
-18	300185	Shaft, Impeller
-19	300186	Housing, Bearing Impeller
-20	400012	Fitting, Grease, 3/16
-21	301027	Shroud Assembly, Inner
-22	300902	Spacer
-23	300133	Impeller
-24	400062	Nut, 1/2-20, Acorn
-25	300139	Shroud, Outer
-26	301383	Gasket, Impeller Manifold
-27	301223	Manifold Assembly, Impeller
-28	301793	Spacer, Bracket
-29	301622	Retainer, Impeller Cable
-30	300351	Clamp, Hose, 4" Dia.
-31	300349	Hose (Impeller to Tank)
-32	301498	Damper, Hopper Shutoff
-33	301434	Arm Assembly, Impeller Shutoff
-34	301459	Joint, Ball, #10-32
-35	301626	Rod, Impeller Shutoff
-36	301455	Arm Assembly, Impeller Shutoff, Bottom
-37	301427	Cable, Impeller Manifold Control

Figure repeated  
for clarity.

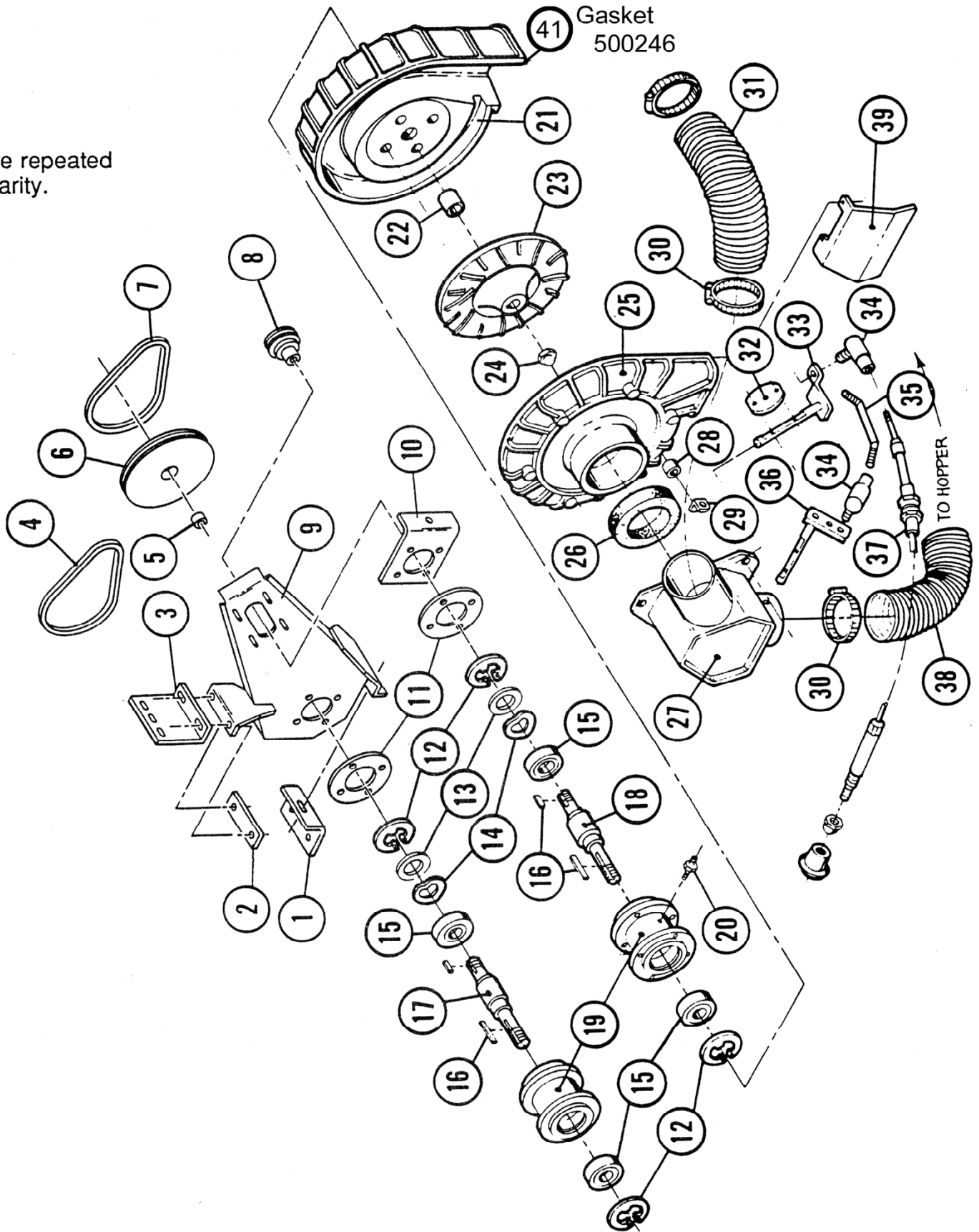


Figure 25. Impeller (Heavy Duty)

Part 41 not shown

FIGURE & INDEX	PART NUMBER	DESCRIPTION
25		
-38	304511	IMPELLER (HEAVY DUTY)
-39	300908	Hose (Impeller to Hopper)
-40	301388	Deflector, Impeller
-41	500246	Cover, Impeller Bearing (Not Shown)
		Gasket Material

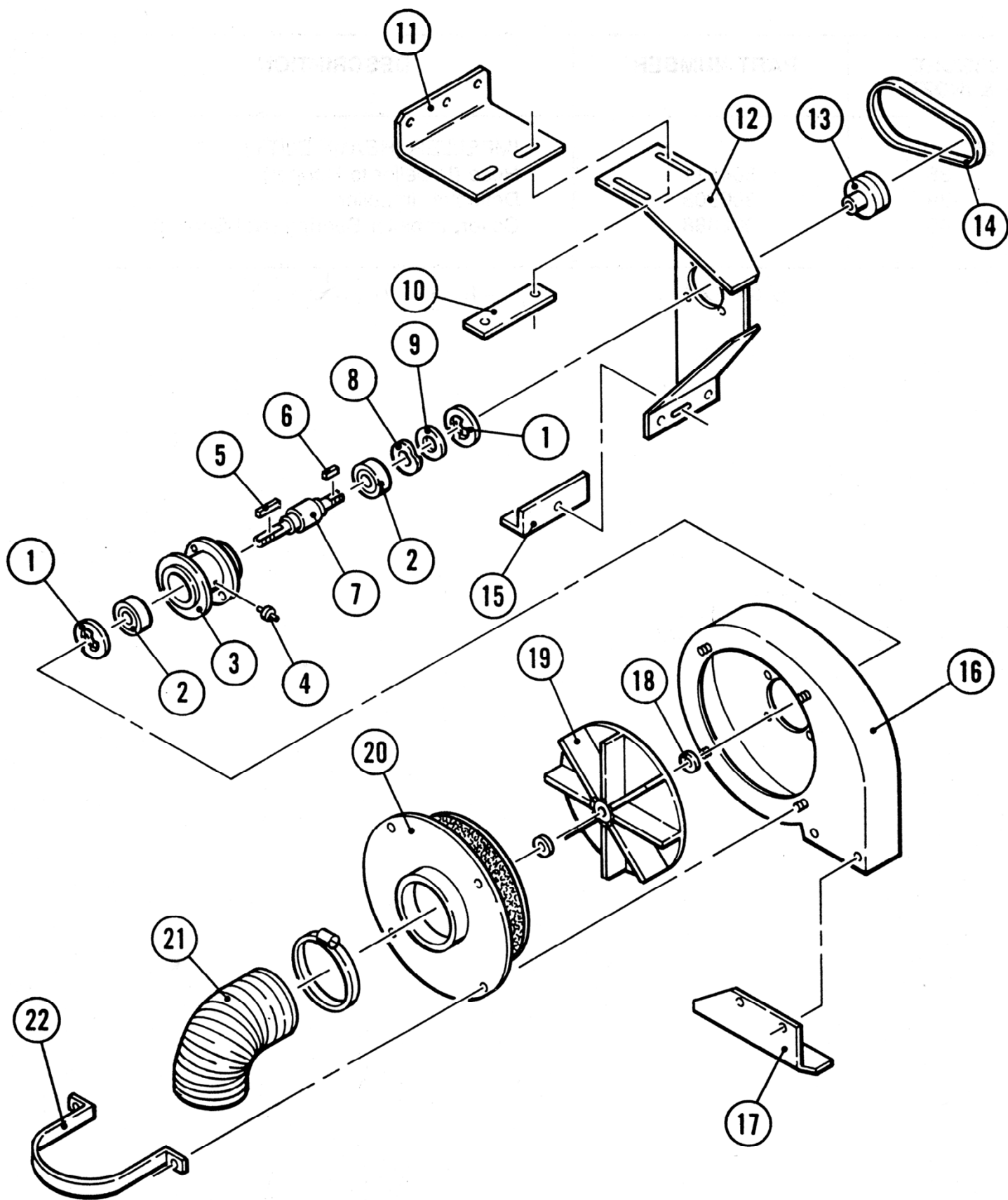


Figure 26. Impeller (Light Weight)

FIGURE & INDEX	PART NUMBER	DESCRIPTION
26		IMPELLER (STANDARD)
-1	300474	Ring, Interior Retaining
-2	300468	Bearing, Ball
-3	300186	Housing, Bearing Impeller
-4	400012	Fitting, Grease 3/16
-5	304186	Key, 1/8 Square x .62
-6	300344	Key, 1/8 Square x .75
-7	300185	Shaft, Impeller
-8	300476	Washer, Wave
-9	301330	Spacer, Impeller
-10	304075	Bar Impeller, Adjustment
-11	304125	Bracket, Impeller Mount
-12	304121	Mount Assembly, Impeller
-13	304072	Pulley, Impeller
-14	304087	Belt, Impeller Drive
-15	305631	Bracket
-16	304034	Shroud, Impeller
-17	304126	Deflector, Impeller
-18	304185	Spacer, Impeller In Board
-19	304002	Impeller
-20	304142	Hose Assembly, Impeller
-21	304155	Hose, Impeller
-22	304140	Retainer, Impeller Hose

\* When no part number appears in this column, the part number for the 80 Series is the same as that for the 90 Series.